
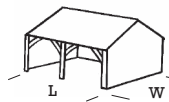
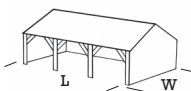


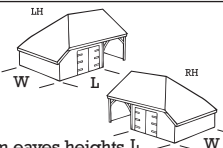



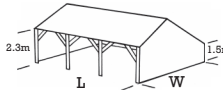


CARRIAGE HOUSES AND ATTACHED COMPARTMENTS OPEN BARNs


Price List ex. VAT Ref 05/19


CARRIAGE HOUSE	Size L x W	Roof Type		Erection Charge
		Boarded and Felted (22° Pitch)	Ready for Tiling (up to 35° Pitch)	
SINGLE BAY <ul style="list-style-type: none"> • 2.3m eaves height • Oak entrance frame • Choice of sawn weatherboard or planed shiplap cladding 	3.0m x 4.8m (10 x 16)	£2,793	£3,009	£298
	3.0m x 5.4m (10 x 18)	£3,062	£3,283	£328
	3.0m x 6.0m (10 x 20)	£3,334	£3,557	£356
TWO BAY 	5.4m x 4.8m (18 x 16)	£4,128	£4,380	£487
	6.0m x 4.8m (20 x 16)	£4,406	£4,611	£514
	5.4m x 5.4m (18 x 18)	£4,480	£4,695	£522
	6.0m x 5.4m (20 x 18)	£4,615	£4,935	£551
	5.4m x 6.0m (18 x 20)	£4,781	£5,023	£556
THREE BAY 	9.0m x 4.8m (30 x 16)	£6,106	£6,336	£712
	9.0m x 5.4m (30 x 18)	£6,377	£6,608	£743
	9.0m x 6.0m (30 x 20)	£6,690	£6,923	£779
ATTACHED GARAGE <ul style="list-style-type: none"> • 2.3m eaves height • Includes 1 pair of garage doors <i>Other lengths available</i> 	3.0m x 4.8m (10 x 16)	£2,205	£2,287	£256
	3.6m x 4.8m (12 x 16)	£2,448	£2,526	£285
	3.0m x 5.4m (10 x 18)	£2,393	£2,473	£279
	3.6m x 5.4m (12 x 18)	£2,646	£2,718	£308
	3.0m x 6.0m (10 x 20)	£2,615	£2,694	£305
ATTACHED WORKSHOP <ul style="list-style-type: none"> • 2.3m eaves height • Includes personal door and window <i>Other lengths available</i> 	2.4m x 4.8m (8 x 16)	£1,958	£2,045	£226
	3.0m x 4.8m (10 x 16)	£2,190	£2,270	£255
	2.4m x 5.4m (8 x 18)	£2,081	£2,168	£242
	3.0m x 5.4m (10 x 18)	£2,313	£2,395	£269
	2.4m x 6.0m (8 x 20)	£2,198	£2,289	£256
ATTACHED CART LODGE <ul style="list-style-type: none"> • 2.3m & 1.5m eaves heights • Only 35° pitch available • Includes cat slide roof and 1 pair of garage doors 	4.2m x 4.8m (14 x 16)	-	£3,302	£463
	4.2m x 5.4m (14 x 18)	-	£3,670	£515
	4.2m x 6.0m (14 x 20)	-	£4,134	£579
ATTACHED LOG STORE <ul style="list-style-type: none"> • 150 x 150 oak frame • 30° pitch roof • 2.2m & 1.5m eaves heights 	1.2m x 4.6m (4' x 15')	£877	£790	£94
	1.2m x 5.2m (4' x 17')	£947	£852	£99
	1.2m x 5.8m (4' x 19')	£1,018	£911	£106

OPEN BARN WITH REAR CAT SLIDE ROOF	Size L x W	Roof Type		Erection Charge
		Boarded and Felted (22° Pitch)	Ready for Tiling (35° Pitch)	
SINGLE BAY <ul style="list-style-type: none"> • Oak frames front and back • 2.3m & 1.5m eaves heights • Only 35° pitch available 	3.0m x 4.8m (10' x 16')	-	£3,376	£405
	3.0m x 5.4m (10' x 18')	-	£3,656	£439
	3.0m x 6.0m (10' x 20')	-	£3,935	£472
TWO BAY 	5.4m x 4.8m (18' x 16')	-	£4,731	£567
	6.0m x 4.8m (20' x 16')	-	£4,957	£596
	5.4m x 5.4m (18' x 18')	-	£5,049	£606
	6.0m x 5.4m (20' x 18')	-	£5,282	£634
	5.4m x 6.0m (18' x 20')	-	£5,388	£646
THREE BAY 	9.0m x 4.8m (30 x 16)	-	£6,419	£771
	9.0m x 5.4m (30 x 18)	-	£6,896	£838
	9.0m x 6.0m (30 x 20)	-	£7,373	£886

Choice of Claddings - same price

Joinery grade Swedish redwood. (*Pinus Sylvestris*)

 Sawn weatherboard
2 ex 32 x 150
pressure treated

 Planed shiplap
19 x 125
pressure treated

CARRIAGE HOUSE OPTIONS

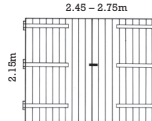
Personal Door (FLB)
Standard on Workshop, optional elsewhere
£195



Window
Standard on Workshop, optional elsewhere
£184




Staddle Stone
150 x 150 x 150 x 175/200
£68 per oak post



Barn Hip
4.8m span £194
5.4m & 6.0m spans £226
35° pitch tiled roofs only



Barn Doors
To fit Carriage House oak entrance frame
£718 per pair



Internal lining

Internal lining of Carriage House walls to eaves in matching cladding

Supply only as DIY kit £34/m run

Supply and fix £44/m run (only at time of erecting).

Rainwater Goods

112mm black plastic half round gutter

68mm down pipe assembly

£11/m run

£21 each

Planning Drawings

Cost credited at time of order

From £70

OPTIONS BY INDIVIDUAL QUOTATION

Available in delivery zones 1 & 2 only (see map on reverse of order form).

These options follow on a few days after erection of the building

- **2 layer Torch On Felt.** Grey mineral finish.
For 22° pitch roofs and replacing standard single layer felt
- **Felt Shingles.** Grey mineral finish.
For 22° pitch roofs and replacing standard single layer felt (Mar - Sep only)
- **Tiling Service**
Wide range of fibre cement slates, natural slates, interlocking concrete tiles and plain tiles available

PASSMORES - CLEAR MARKET LEADERS

Strong, safe and long lasting

Our designs are proven by structural calculation. No leaning walls or sagging roofs and that's guaranteed.

Exceptional roof strength

You will not see widely spaced roof trusses on a Passmore building. All our roofs have trusses spaced at 0.6m (2') intervals. This provides a significant strength advantage. For example, P.V. solar panels can be installed on any Passmore felt roof building without the need for modification.

Effective wall bracing

Opposing diagonal braces or osb sheathing on all buildings.

Sturdy barn door option

25mm tgv, 38 x 150mm ledges and braces, 900mm galvanised hinges, retainers, drop bolts and locking bar.

Joinery grade Swedish Redwood Claddings

For superior performance and longer life.

Best quality oak

We only use grade QPA green oak in our buildings. (This is the highest quality available).

Key components pressure treated

In house delivery, erection and tiling services.

PASSMORES est. 1909

110 years of exceptional customer service

Please see overleaf for supply notes and Garage prices